

# CERTIFICATE

No.: TM 62001302 003



## Licence holder

Vinci Group Sp. z o.o.  
ul. Królewska 5, Reguły  
05-816 Michałowice  
Poland

# vinci play

## Manufacturing Plant

BabyCam Sp. z o.o.  
ul. Seminaryjna 9  
99-400 Łowicz  
Poland

## Project number

26205650/2024

## Our reference

84976603

## The period of validity

from 2024-12-31 to 2029-12-30

## Scope of evaluation

EN 1176-1:2017+A1:2023

## Certification program PCWU-3

## Certified Product (Product Identification)

Playground equipment

Model:	RB1336	RB1337	RB1338	RB1339	RB1330	RB0514
Age group [year]:	2+	2+	2+	1+	1+	1+
Dimensions L x W x H [cm]:	195 x 65 x 225	40 x 25 x 100	40 x 30 x 100	220 x 75 x 120	195 x 75 x 190	125 x 25 x 145
Main material:	robinia - acacia wood, HPL or HDPE plate				robinia- acacia wood	

Product visualization:



## TÜV Rheinland Polska Sp. z o.o.

ul. Wolności 347,  
41-800 Zabrze, Polska  
Tel.: (+48/32) 271 64 89  
Fax.: (+48/32) 271 64 88  
e-mail: post@pl.tuv.com



Poznań, 2024-12-31

Product Certification Body

Tomasz Mańczak

This certificate is subjected to the Certification Regulations as well as the General Conditions of Including Transactions in TRP and refers only to the products consistent with the sample being the basis of the carried out confirmation test. This certificate alone does not entitle the holder to attach the CE marking. The validity of the certificate can be checked on [www.certipedia.com](http://www.certipedia.com)



Safety  
Regular  
Production  
Surveillance

[www.tuv.com](http://www.tuv.com)  
ID 0000087591

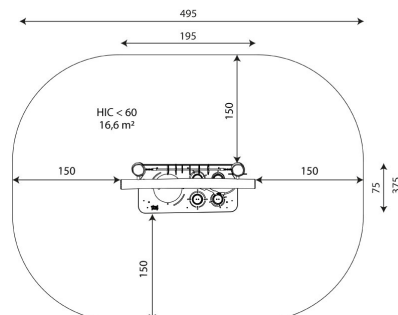


AC 141

TÜVRheinland®  
Precisely Right.

[www.tuv.pl](http://www.tuv.pl)

## Declaration of Conformity



1. Declaration No: 2025/RB1330
2. Issued by: BabyCam Sp. z o.o.  
Reguły, ul. Królewska 5  
05-816 Michałowice
3. Declaration for: ROBINIA RB1330 - Device produced for public playgrounds
4. Reference document: EN 1176-1:2017+A1:2023

I declare with full responsibility that the product described in section 3 is consistent with the reference documents in section 4 and technical documentation.

Reguły, 18.03.2025

**BabyCam Sp. z o.o.**  
Reguły, ul. Królewska 5  
05-816 Michałowice  
NIP: 5342651884, REGON: 522232999  
- 6 -