

# CERTIFICATE

No.: TM 62001162 021



## Licence holder

Vinci Group Sp. z o.o.  
ul. Królewska 5, Reguły  
05-816 Michałowice  
Poland

# vinci play

## Manufacturing Plant

BabyCam Sp. z o.o.  
ul. Seminaryjna 9  
99-400 Łowicz  
Poland

## Project number

26204797/2022

## Our reference

84960546

## The period of validity

from 2022-06-22 to 2027-06-21

## Scope of evaluation

EN 1176-1:2017

## Certification program PCWU-3

## Certified Product (Product Identification)

Playground equipment: JUMPOO series

Model:

2214

2220

Age group  
[years]:

4-15

Dimensions  
L x W x H [cm]:

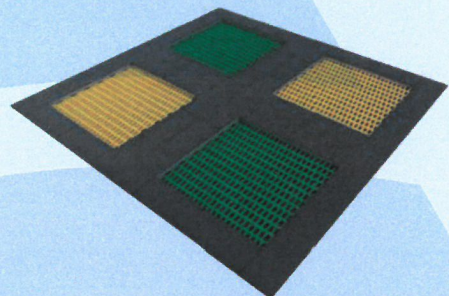
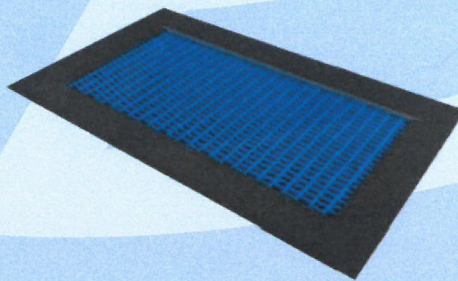
300 x 150

300 x 300

Main construction  
material:

hot dip galvanised steel, mat made of polyamide lamellas with stainless steel rope, SBR edges

Visualization:



## TÜV Rheinland Polska Sp. z o.o.

ul. Wolności 347,  
41-800 Zabrze, Polska  
Tel.: (+48/32) 271 64 89  
Fax.: (+48/32) 271 64 88  
e-mail: post@pl.tuv.com

Product Certification Body



Tomasz Mańczak

Poznań, 2022-06-22

This certificate is subjected to the Certification Regulations as well as the General Conditions of Including Transactions in TRP and refers only to the products consistent with the sample being the basis of the carried out confirmation test. This certificate alone does not entitle the holder to attach the CE marking. The validity of the certificate can be checked on [www.certipedia.com](http://www.certipedia.com)



Safety  
Regular  
Production  
Surveillance

[www.tuv.com](http://www.tuv.com)  
ID 0000042509



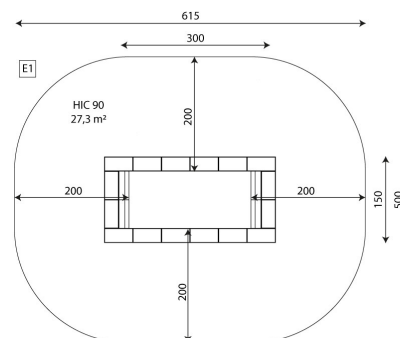
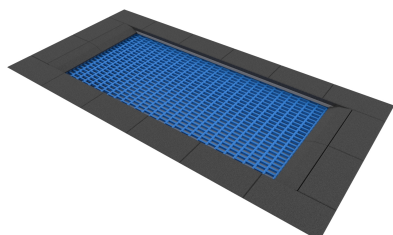
AC 141



TÜVRheinland®  
Precisely Right.

[www.tuv.pl](http://www.tuv.pl)

## Declaration of Conformity



1. Declaration No: 2025/2214
2. Issued by: BabyCam Sp. z o.o.  
Reguły, ul. Królewska 5  
05-816 Michałowice
3. Declaration for: JUMPOO 2214 - Device produced for public playgrounds
4. Reference document: EN 1176-1:2017+A1:2023

I declare with full responsibility that the product described in section 3 is consistent with the reference documents in section 4 and technical documentation.

Reguły, 28.02.2025

**BabyCam Sp. z o.o.**  
Reguły, ul. Królewska 5  
05-816 Michałowice  
NIP: 5342651884, REGON: 522232999  
-6-